

Cristallo

DESIGN CENTER DIRECTED BY
ANTONIO BONGIO

#luxurybathroom



1

Style
& Beauty

INTRAMONTABILE
BELLEZZA

Timeless beauty



Con le sue forme armoniche e le linee eleganti, CRISTALLO rappresenta l'intramontabile bellezza di un prodotto che va oltre le mode. Un dettaglio che diventa protagonista e rende sofisticato e attuale anche l'ambiente più classico.

With its harmonious shapes and sleek lines, represents the timeless beauty of a product that goes beyond fashion. A detail that becomes the protagonist and makes even the most classic of environments modern and sophisticated.



1. Art. 04501CR00

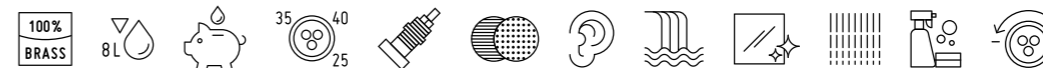
#timelesselegance



LAVABO / WASHBASIN
Art. 04501OR00

INFORMAZIONI TECNICHE

Technical details



VITONI: La serie Cristallo è dotata di vitoni a dischi ceramici 1/4 giro e di cartuccia progressiva Ø 35 mm.

La temperatura d'impianto non deve superare i 70°C. La pressione di esercizio dell'impianto consigliata è di 3 bar.

EROGAZIONE: La serie Cristallo ha un tipo di erogazione morbida. I lavabi e i bidet sono forniti con limitatore di portata da 8l/m, permettendo un notevole risparmio d'acqua.

INSTALLAZIONE: Tutti gli articoli ad incasso Bongio completi sono forniti di relative parti incasso.

Gli articoli doccia e vasca esterni hanno un interasse di 15±20 mm.

Per gli articoli lavabo e bidet, monoforo e tre fori, da installarsi su piano, devono essere realizzati fori Ø 35 mm massimo.

Rubinetteria abbinabile ad accessori serie Fleur pag. 490

MECHANISM: Cristallo series has 1/4' turn ceramic disc mechanism and Ø 35 mms. progressive cartridge.

The temperature of the plant should not exceed 70 degrees. The suggested working pressure of the plant has to be 3 bar.

SUPPLY: Cristallo series has a soft supply. Basin and bidet mixers have a standard limitation of flow to 8l/m which reduces the water waste.

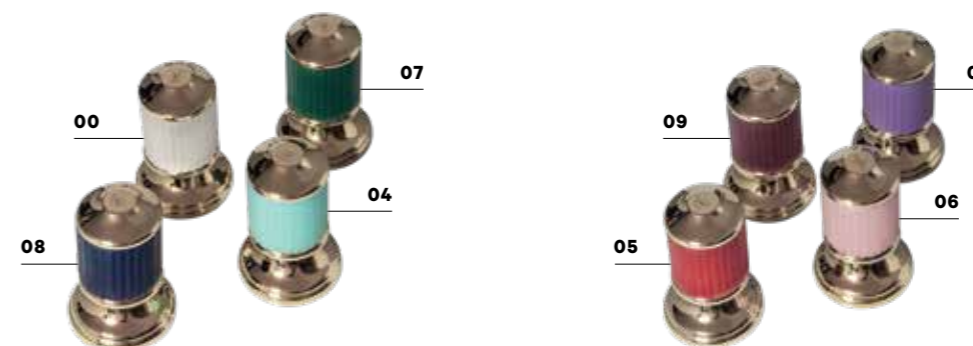
INSTALLATION: All the built-in Bongio items are available with universal raw built-in body.

All the external shower and bath mixers have the 15±20 mms interaxe.

For the basin and bidet mixers - single or three holes - to be place on top deck, they require Ø 35 mms. maximum holes.

Collection to match with Fleur accessories pag. 490

MANIGLIE IN CRISTALLO / CRYSTAL HANDLES



00 Bianco / White

07 Smeraldo / Emerald

04 Turchese / Turquoise

08 Blu Reale / Royal Blue

03 Lilla / Lilac

06 Rosa Antico / Antique Pink

05 Ciliegia Rossa / Cherry Red

09 Rubino / Ruby

FINITURE E COLORI / FINISHES AND COLOURS



CR
Cromo
Chrome



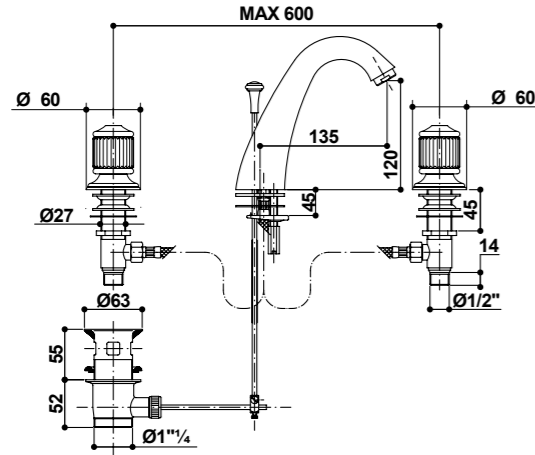
OR
Oro
Gold



OA*
Oro Rosa
Rose Gold

* Disponibile su richiesta / Available on request

04501
 Gruppo lavabo tre fori completo di scarico 1.1/4". Three holes basin mixer with 1.1/4" pop-up waste.



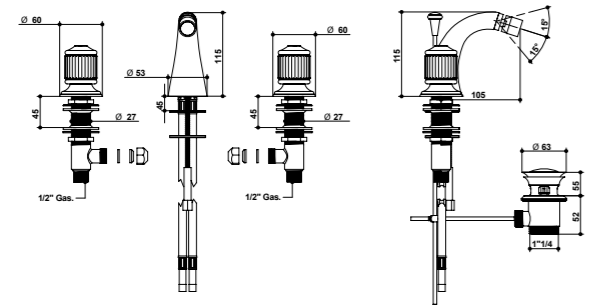
ARTICOLO COMPLETO / COMPLETE ITEM
04501CR00
 CR00/CR03/CR04/CR05/CR06/CR07/CR08/CR09
04501OR00
 OR00/OR03/OR04/OR05/OR06/OR07/OR08/OR09

ABBINABILE A / TO MATCH WITH
 Sifone / Siphon - **00065CR00** pag. 1077

RICAMBI / SPARE PARTS

9792 Calda / Hot	9792 Fredda / Cold
9998CR	

04503
 Gruppo bidet tre fori con bocca completo di scarico 1.1/4". Three holes bidet mixer with 1.1/4" pop-up waste.



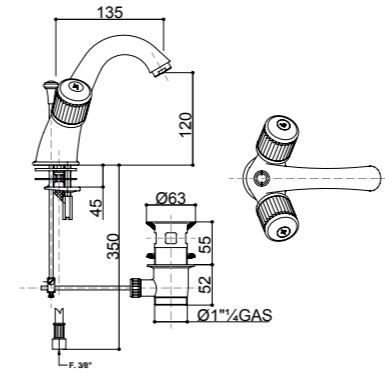
ARTICOLO COMPLETO / COMPLETE ITEM
04503CR00
 CR00/CR03/CR04/CR05/CR06/CR07/CR08/CR09
04503OR00
 OR00/OR03/OR04/OR05/OR06/OR07/OR08/OR09

ABBINABILE A / TO MATCH WITH
 Sifone / Siphon - **00066CR00** pag. 1078

RICAMBI / SPARE PARTS

9792 Calda / Hot	9792 Fredda / Cold
9979CR	

04521
 Monoforo lavabo completo di scarico 1.1/4". Single hole basin mixer with 1.1/4" pop-up waste.



ARTICOLO COMPLETO / COMPLETE ITEM
04521CR00
 CR00/CR03/CR04/CR05/CR06/CR07/CR08/CR09
04521OR00
 OR00/OR03/OR04/OR05/OR06/OR07/OR08/OR09

ABBINABILE A / TO MATCH WITH
 Sifone / Siphon - **00065CR00** pag. 1077

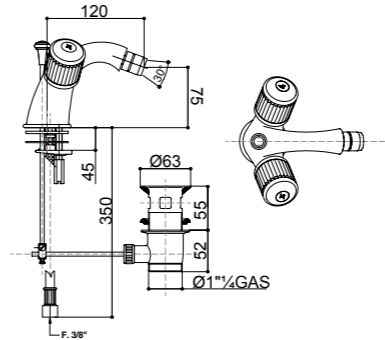
ACCESSORI / ACCESSORIES

945CR15 Prolunga / Extension
--

RICAMBI / SPARE PARTS

9792 Calda / Hot	9791 Fredda / Cold
9998CR	

04522
 Monoforo bidet completo di scarico 1.1/4". Single hole basin mixer with 1.1/4" pop-up waste.



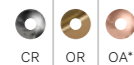
ARTICOLO COMPLETO / COMPLETE ITEM
04522CR00
 CR00/CR03/CR04/CR05/CR06/CR07/CR08/CR09
04522OR00
 OR00/OR03/OR04/OR05/OR06/OR07/OR08/OR09

ABBINABILE A / TO MATCH WITH
 Sifone / Siphon - **00066CR00** pag. 1078

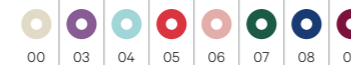
RICAMBI / SPARE PARTS

9792 Calda / Hot	9791 Fredda / Cold
9978CR	

FINITURE E COLORI / FINISHES AND COLOURS

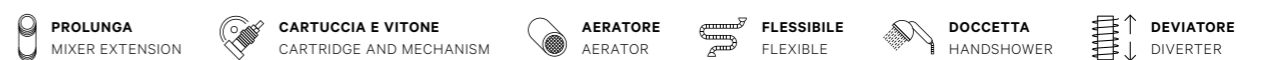


MANIGLIE IN CRISTALLO / CRYSTAL HANDLES



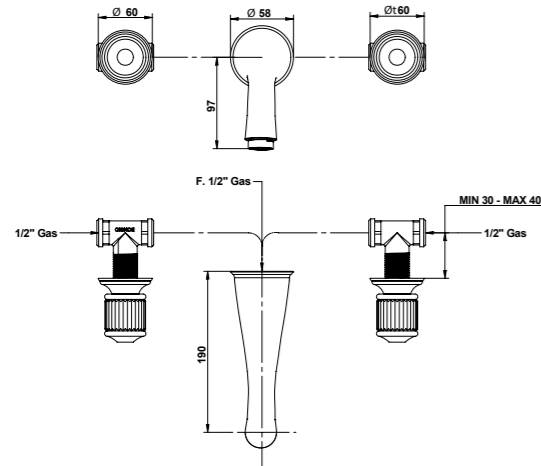
* Disponibile su richiesta / Available on demand

ACCESSORI E RICAMBI / ACCESSORIES AND SPARE PARTS



Abbinabile agli accessori Fleur pag. 490 / Match to Fleur accessories p. 490

04538
 Gruppo lavabo incasso a parete, bocca 190 mm. / Wall basin mixer with mms. 190 spout.



ARTICOLO COMPLETO / COMPLETE ITEM
04538CR00
 CR00/CR03/CR04/CR05/CR06/CR07/CR08/CR09

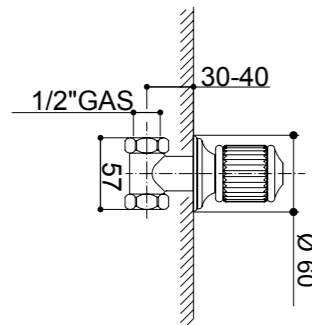
PARTE INCASSO BUILT-IN PART	PARTE ESTERNA DA ABBINARE EXTERNAL MATCHING PART
	FINITURE / FINISHES
09767	04538CR00EU CR00/CR03/CR04/CR05 CR06/CR07/CR08/CR09
	04538OR00EU OR00/OR03/OR04/OR05 OR06/OR07/OR08/OR09

ABBINABILE A / TO MATCH WITH
 Sifone / Siphon - **00065CR00** pag. 1077
 Piletta clic-clac / Clic-clac waste - **00079CR00** pag. 1075

ACCESSORI / ACCESSORIES
00083CRCR
 2 pz. per articolo / 2 pcs needed

RICAMBI / SPARE PARTS	
9792 Calda / Hot	9792 Fredda / Cold
9998CR	

04500
 Rubinetto incasso 1/2". / 1/2" built-in tap.



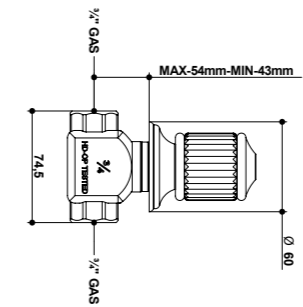
ARTICOLO COMPLETO / COMPLETE ITEM
04500CR00
 CR00/CR03/CR04/CR05/CR06/CR07/CR08/CR09

PARTE INCASSO BUILT-IN PART	PARTE ESTERNA DA ABBINARE EXTERNAL MATCHING PART
	FINITURE / FINISHES
09777 Calda / Hot	04500CR00EU CR00/CR03/CR04/CR05 CR06/CR07/CR08/CR09
09777 Fredda / Cold	04500OR00EU OR00/OR03/OR04/OR05 OR06/OR07/OR08/OR09

ACCESSORI / ACCESSORIES
00083CRCS

RICAMBI / SPARE PARTS	
9792 Calda / Hot	9792 Fredda / Cold

04498
 Rubinetto incasso da 3/4" vitone tradizionale. / 3/4" built-in tap traditional mechanism.



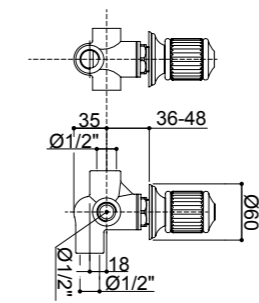
ARTICOLO COMPLETO / COMPLETE ITEM
04498CR00
 CR00/CR03/CR04/CR05/CR06/CR07/CR08/CR09

PARTE INCASSO BUILT-IN PART	PARTE ESTERNA DA ABBINARE EXTERNAL MATCHING PART
	FINITURE / FINISHES
09772 Calda / Hot	04498CR00EU CR00/CR03/CR04/CR05 CR06/CR07/CR08/CR09
09772 Fredda / Cold	04498OR00EU OR00/OR03/OR04/OR05 OR06/OR07/OR08/OR09

ACCESSORI / ACCESSORIES
00083CRCS

RICAMBI / SPARE PARTS	
9804 Calda / Hot	9804 Fredda / Cold

04525
 Deviatore 2 uscite (2 entrate 2 uscite). / 2 exit built-in diverter (2 in - 2 out).



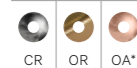
ARTICOLO COMPLETO / COMPLETE ITEM
04525CR00
 CR00/CR03/CR04/CR05/CR06/CR07/CR08/CR09

PARTE INCASSO BUILT-IN PART	PARTE ESTERNA DA ABBINARE EXTERNAL MATCHING PART
	FINITURE / FINISHES
09496	04525CR00EU CR00/CR03/CR04/CR05 CR06/CR07/CR08/CR09
	04525OR00EU OR00/OR03/OR04/OR05 OR06/OR07/OR08/OR09

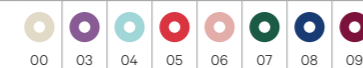
ACCESSORI / ACCESSORIES
00083CRCS

RICAMBI / SPARE PARTS	
00112DM	

FINITURE E COLORI / FINISHES AND COLOURS



MANIGLIE IN CRISTALLO / CRYSTAL HANDLES



* Disponibile su richiesta / Available on demand

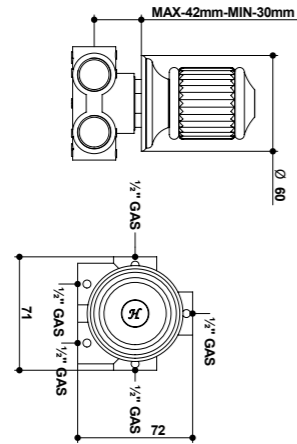
ACCESSORI E RICAMBI / ACCESSORIES AND SPARE PARTS

Abbinabile agli accessori Fleur pag. 490 / Match to Fleur accessories p. 490



04525/5

Deviatore 3 uscite (2 entrate 3 uscite). 3 exit built-in diverter (2 in - 3 out).



ARTICOLO COMPLETO / COMPLETE ITEM

04525CR0005
CR00/CR03/CR04/CR05/CR06/CR07/CR08/CR09

PARTE INCASSO / BUILT-IN PART

09495

PARTE ESTERNA DA ABBINARE / EXTERNAL MATCHING PART

FINITURE / FINISHES

04525CR0005EU
CR00/CR03/CR04/CR05
CR06/CR07/CR08/CR09

04525OR0005EU
OR00/OR03/OR04/OR05
OR06/OR07/OR08/OR09

ACCESSORI / ACCESSORIES

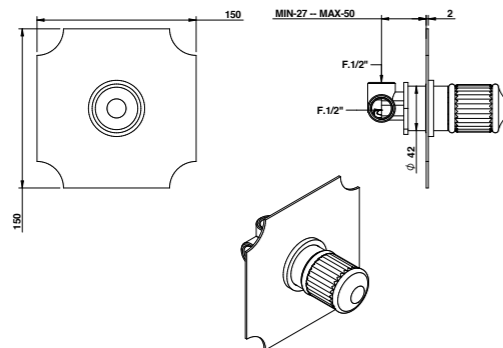
00083CRCS

RICAMBI / SPARE PARTS

00113DM

04524

Miscelatore incasso con cartuccia progressiva. Built-in mixer with progressive cartridge.



ARTICOLO COMPLETO / COMPLETE ITEM

04524CR00
CR00/CR03/CR04/CR05/CR06/CR07/CR08/CR09

PARTE INCASSO / BUILT-IN PART

09862PG

PARTE ESTERNA DA ABBINARE / EXTERNAL MATCHING PART

FINITURE / FINISHES

04524CR00EU
CR00/CR03/CR04/CR05
CR06/CR07/CR08/CR09

04524OR00EU
OR00/OR03/OR04/OR05
OR06/OR07/OR08/OR09

ACCESSORI / ACCESSORIES

00100CRPRPR

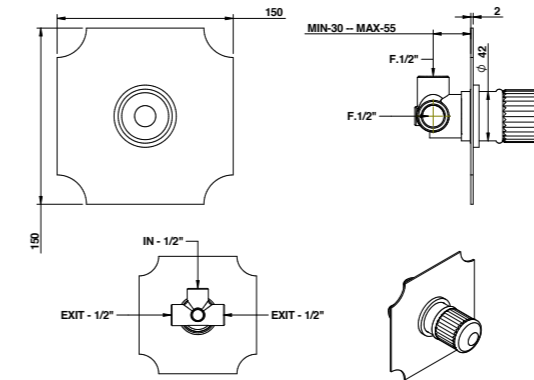
OPTIONAL: Scatola incasso per cartongesso / Built-in box for drywall and cavity wall **09702PBOX**

RICAMBI / SPARE PARTS

9822

04556

Deviatore 2 uscite (1 entrata - 2 uscite). 2 exit diverter. (1 in - 2 out).



ARTICOLO COMPLETO / COMPLETE ITEM

04556CR00
CR00/CR03/CR04/CR05/CR06/CR07/CR08/CR09

PARTE INCASSO / BUILT-IN PART

09491/2

PARTE ESTERNA DA ABBINARE / EXTERNAL MATCHING PART

FINITURE / FINISHES

04556CR00EU
CR00/CR03/CR04/CR05
CR06/CR07/CR08/CR09

04556OR00EU
OR00/OR03/OR04/OR05
OR06/OR07/OR08/OR09

ACCESSORI / ACCESSORIES

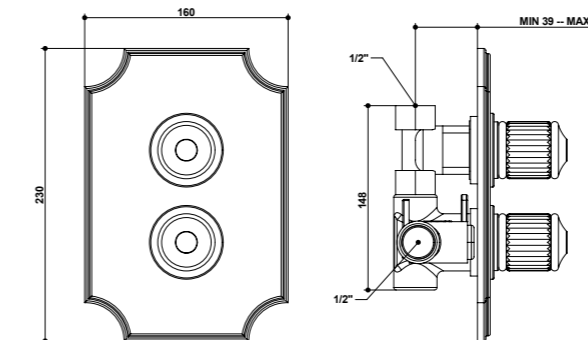
00109CRPR

RICAMBI / SPARE PARTS

9808/2

04544

Miscelatore termostatico incasso 1/2". 1/2" built-in thermostatic mixer.



ARTICOLO COMPLETO / COMPLETE ITEM

04544CR00
CR00/CR03/CR04/CR05/CR06/CR07/CR08/CR09

PARTE INCASSO / BUILT-IN PART

09787

PARTE ESTERNA DA ABBINARE / EXTERNAL MATCHING PART

FINITURE / FINISHES

04544CR00EU
CR00/CR03/CR04/CR05
CR06/CR07/CR08/CR09

04544OR00EU
OR00/OR03/OR04/OR05
OR06/OR07/OR08/OR09

ACCESSORI / ACCESSORIES

00105CRCAPR

RICAMBI / SPARE PARTS

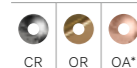
8900TM **9788**

Cartuccia miscelatrice / Mixer cartridge

NOTE / NOTES

Portata a pressione dinamica / Flow rates at dynamic pressure:
3 bar - 32 l/min - 38° Mix

FINITURE E COLORI / FINISHES AND COLOURS



MANIGLIE IN CRISTALLO / CRYSTAL HANDLES



* Disponibile su richiesta / Available on demand

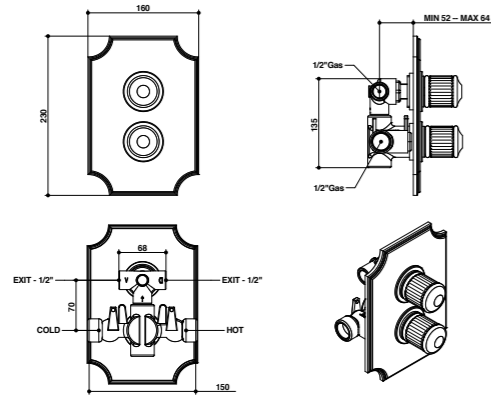
ACCESSORI E RICAMBI / ACCESSORIES AND SPARE PARTS

Abbinabile agli accessori Fleur pag. 490 / Match to Fleur accessories p. 490



04549

Miscelatore termostatico incasso 1/2" con deviatore a 2 uscite. 1/2" built-in thermostatic mixer with 2 way diverter.



ARTICOLO COMPLETO / COMPLETE ITEM

04549CR00
CR00/CR03/CR04/CR05/CR06/CR07/CR08/CR09

PARTE INCASSO BUILT-IN PART **PARTE ESTERNA DA ABBINARE EXTERNAL MATCHING PART**

FINITURE / FINISHES	
09728	04549CR00EU CR00/CR03/CR04/CR05 CR06/CR07/CR08/CR09
	04549OR00EU OR00/OR03/OR04/OR05 OR06/OR07/OR08/OR09

ACCESSORI / ACCESSORIES

	00105CRCA49PR
--	----------------------

RICAMBI / SPARE PARTS

	8900TM □		9788/02 °
--	-----------------	--	------------------

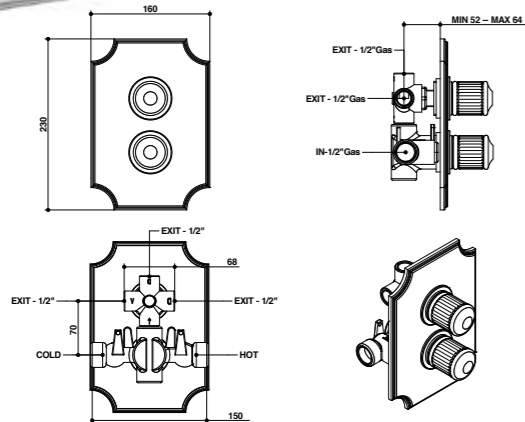
- Cartuccia miscelatrice / Mixer cartridge
- ° Cartuccia di apertura-chiusura / Open-close cartridge

NOTE / NOTES

Portata a pressione dinamica / Flow rates at dynamic pressure:
3 bar - 23 l/min - 38° Mix - 3 bar - 15 l/min - 38° Mix

04549/3

Miscelatore termostatico incasso 1/2" con deviatore a 3 uscite. 1/2" built-in thermostatic mixer with 3 way diverter.



ARTICOLO COMPLETO / COMPLETE ITEM

04549CR0003
CR00/CR03/CR04/CR05/CR06/CR07/CR08/CR09

PARTE INCASSO BUILT-IN PART **PARTE ESTERNA DA ABBINARE EXTERNAL MATCHING PART**

FINITURE / FINISHES	
09728/03	04549CR0003EU CR00/CR03/CR04/CR05 CR06/CR07/CR08/CR09
	04549OR0003EU OR00/OR03/OR04/OR05 OR06/OR07/OR08/OR09

ACCESSORI / ACCESSORIES

	00105CRCA49PR
--	----------------------

RICAMBI / SPARE PARTS

	8900TM □		9788/03 °
--	-----------------	--	------------------

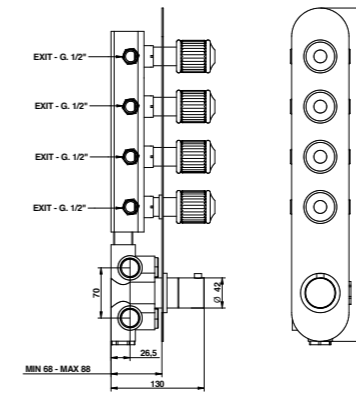
- Cartuccia miscelatrice / Mixer cartridge
- ° Cartuccia di apertura-chiusura / Open-close cartridge

NOTE / NOTES

Portata a pressione dinamica / Flow rates at dynamic pressure:
3 bar - 23 l/min - 38° Mix - 3 bar - 15 l/min - 38° Mix

04542/4

Miscelatore termostatico incasso con 4 rubinetti di apertura/chiusura su piastra unica (4 uscite). Built-in thermostatic mixer with 4 open/close taps on single plate (4 out).



ARTICOLO COMPLETO / COMPLETE ITEM

04542CR0004
CR00/CR03/CR04/CR05/CR06/CR07/CR08/CR09

PARTE INCASSO BUILT-IN PART **PARTE ESTERNA DA ABBINARE EXTERNAL MATCHING PART**

FINITURE / FINISHES	
09730/04	04542CR0004EU CR00/CR03/CR04/CR05 CR06/CR07/CR08/CR09
	04542OR0004EU OR00/OR03/OR04/OR05 OR06/OR07/OR08/OR09

ACCESSORI / ACCESSORIES

	00112CPR04
--	-------------------

RICAMBI / SPARE PARTS

	09845 □		9794 °
--	----------------	--	---------------

- Cartuccia miscelatrice / Mixer cartridge
- ° Cartuccia di apertura-chiusura / Open-close cartridge

NOTE / NOTES

Portata a pressione dinamica / Flow rates at dynamic pressure:
3 bar - 23 l/min

04542/3 NEW

Miscelatore termostatico incasso con 3 rubinetti di apertura/chiusura su piastra unica (3 uscite). Built-in thermostatic mixer with 3 open/close taps on single plate (3 exits).

ARTICOLO COMPLETO / COMPLETE ITEM

04542CR0003
CR00/CR03/CR04/CR05/CR06/CR07/CR08/CR09 CR

PARTE INCASSO BUILT-IN PART **PARTE ESTERNA DA ABBINARE EXTERNAL MATCHING PART**

FINITURE / FINISHES	
09730/03	04542CR0003EU CR00/CR03/CR04/ CR05/CR06/CR07/ CR08/CR09 CR
	04542OR0003EU OR00/OR03/OR04/ OR05/OR06/OR07/ OR08/OR09 OR

ACCESSORI / ACCESSORIES

	00112CPR03
--	-------------------

RICAMBI / SPARE PARTS

	09845 □		9794 °
--	----------------	--	---------------

- Cartuccia miscelatrice / Mixer cartridge
- ° Cartuccia di apertura-chiusura / Open-close cartridge

NOTE / NOTES

Portata a pressione dinamica / Flow rates at dynamic pressure:
3 bar - 23 l/min

04542/2 NEW

Miscelatore termostatico incasso con 2 rubinetti di apertura/chiusura su piastra unica (2 uscite). Built-in thermostatic mixer with 2 open/close taps on single plate (2 exits).

ARTICOLO COMPLETO / COMPLETE ITEM

04542CR0002
CR00/CR03/CR04/CR05/CR06/CR07/CR08/CR09 CR

PARTE INCASSO BUILT-IN PART **PARTE ESTERNA DA ABBINARE EXTERNAL MATCHING PART**

FINITURE / FINISHES	
09730/02	04542CR0002EU CR00/CR03/CR04/ CR05/CR06/CR07/ CR08/CR09 CR
	04542OR0002EU OR00/OR03/OR04/ OR05/OR06/OR07/ OR08/OR09 OR

ACCESSORI / ACCESSORIES

	00112CPR02
--	-------------------

RICAMBI / SPARE PARTS

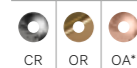
	09845 □		9794 °
--	----------------	--	---------------

- Cartuccia miscelatrice / Mixer cartridge
- ° Cartuccia di apertura-chiusura / Open-close cartridge

NOTE / NOTES

Portata a pressione dinamica / Flow rates at dynamic pressure:
3 bar - 23 l/min

FINITURE E COLORI / FINISHES AND COLOURS



MANIGLIE IN CRISTALLO / CRYSTAL HANDLES



* Disponibile su richiesta / Available on demand

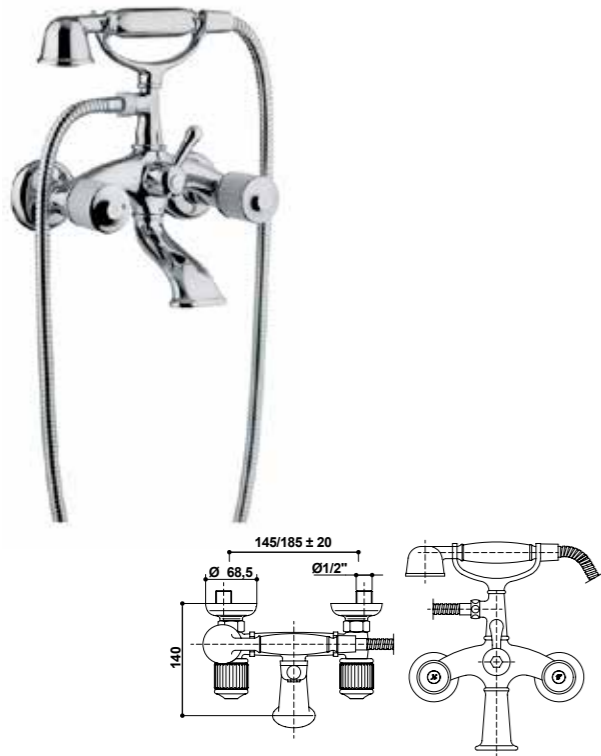
ACCESSORI E RICAMBI / ACCESSORIES AND SPARE PARTS

Abbinabile agli accessori Fleur pag. 490 / Match to Fleur accessories p. 490



04526

Gruppo vasca esterno con set doccia. External bath and shower mixer with shower set.



ARTICOLO COMPLETO / COMPLETE ITEM

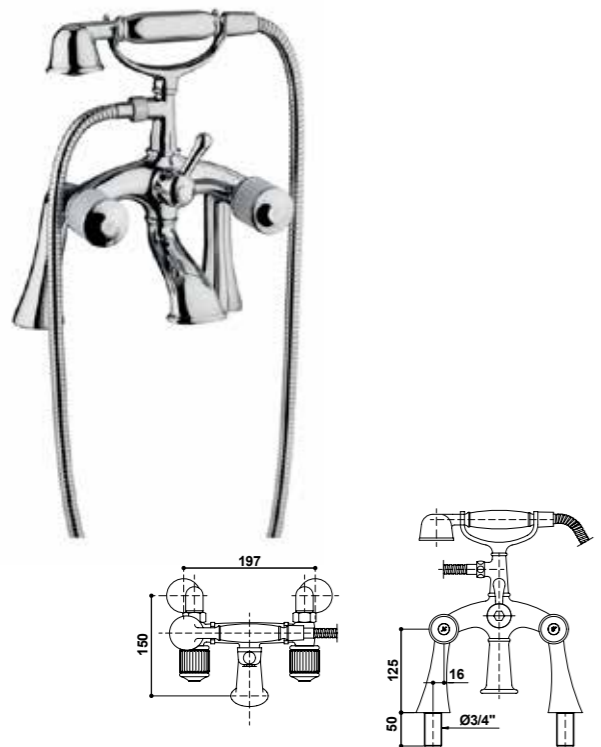
04526CR00
CR00/CR03/CR04/CR05/CR06/CR07/CR08/CR09
04526OR00
OR00/OR03/OR04/OR05/OR06/OR07/OR08/OR09

RICAMBI / SPARE PARTS

	9792 Calda / Hot		9792 Fredda / Cold
	09600CR		00851CR
	00117CRDV		

04527

Gruppo vasca esterno su colonnette con set doccia. External bath and shower mixer on pillar connection with shower set.



ARTICOLO COMPLETO / COMPLETE ITEM

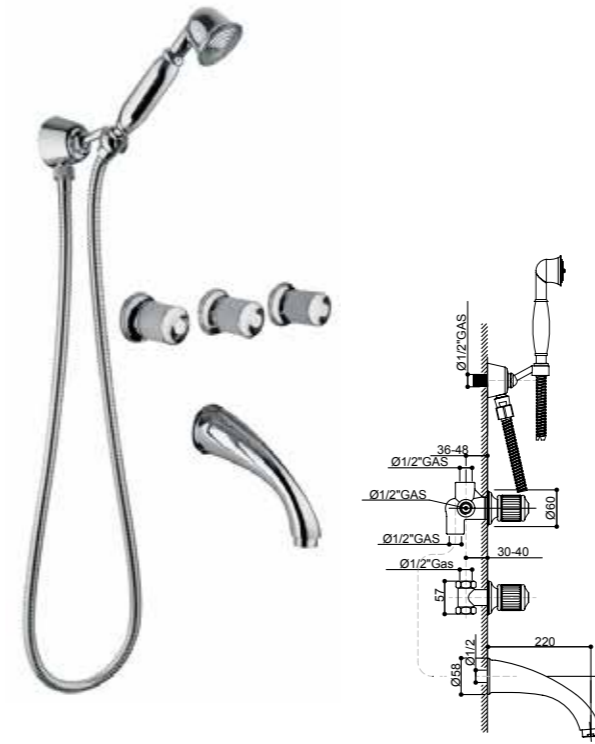
04527CR00
CR00/CR03/CR04/CR05/CR06/CR07/CR08/CR09
04527OR00
OR00/OR03/OR04/OR05/OR06/OR07/OR08/OR09

RICAMBI / SPARE PARTS

	9792 Calda / Hot		9792 Fredda / Cold
	09600CR		00851CR
	00117CRDV		

04530/D

Gruppo vasca incasso con set doccia duplex. Built-in bath and shower mixer with duplex shower set.



ARTICOLO COMPLETO / COMPLETE ITEM

04530CR00D
CR00/CR03/CR04/CR05/CR06/CR07/CR08/CR09

PARTE INCASSO BUILT-IN PART **PARTE ESTERNA DA ABBINARE EXTERNAL MATCHING PART**

09680	04530CR00DEU CR00/CR03/CR04/CR05/CR06/CR07/CR08/CR09
	04530OR00DEU OR00/OR03/OR04/OR05/CR06/OR07/OR08/OR09

ACCESSORI / ACCESSORIES

	00083CRCS 3 pz. per articolo / 3 pcs needed
--	---

RICAMBI / SPARE PARTS

	9792 Calda / Hot		9792 Fredda / Cold
	09997CR		09600CR
	00851CR00		00112DM

04531/D

Gruppo bordo vasca cinque fori con set doccia. Five holes deck bath and shower mixer with shower set.



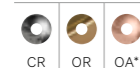
ARTICOLO COMPLETO / COMPLETE ITEM

04531CR00D
CR00/CR03/CR04/CR05/CR06/CR07/CR08/CR09
04531OR00D
OR00/OR03/OR04/OR05/OR06/OR07/OR08/OR09

RICAMBI / SPARE PARTS

	9792 Calda / Hot		9792 Fredda / Cold
	09997CR		09607CR
	00851CRBV		00112VI

FINITURE E COLORI / FINISHES AND COLOURS



MANIGLIE IN CRISTALLO / CRYSTAL HANDLES



* Disponibile su richiesta / Available on demand

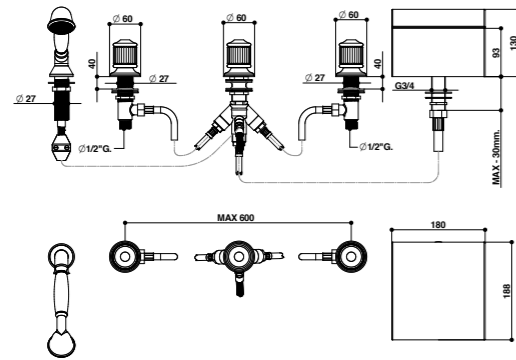
ACCESSORI E RICAMBI / ACCESSORIES AND SPARE PARTS



04535/D

Gruppo bordo vasca con bocca a cascata e set doccia.

Five holes deck bath and shower mixer with waterfall spout and shower set.



ARTICOLO COMPLETO / COMPLETE ITEM

04535CR00D
CR00/CR03/CR04/CR05/CR06/CR07/CR08/CR09

04535OR00D
OR00/OR03/OR04/OR05/OR06/OR07/OR08/OR09

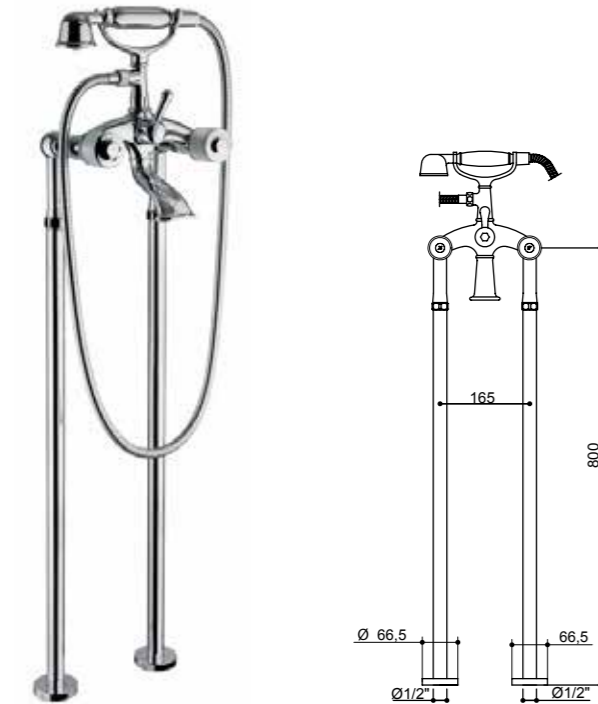
RICAMBI / SPARE PARTS

	9792 Calda / Hot		9792 Fredda / Cold
	09607CR		00851CRBV
	00112VI		

04528

Gruppo doccia esterno su colonnette da terra con set doccia.

Floor mounted bath and shower mixer with shower set.



ARTICOLO COMPLETO / COMPLETE ITEM

04528CR00
CR00/CR03/CR04/CR05/CR06/CR07/CR08/CR09

04528OR00
OR00/OR03/OR04/OR05/OR06/OR07/OR08/OR09

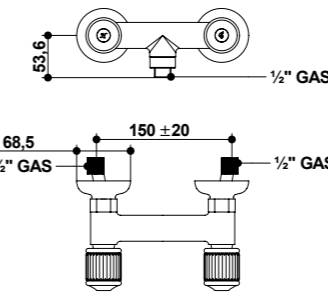
RICAMBI / SPARE PARTS

	9792 Calda / Hot		9792 Fredda / Cold
	09600CR		00851CR00
	00117CRDV		

04523

Gruppo doccia esterno.

External shower mixer.



ARTICOLO COMPLETO / COMPLETE ITEM

04523CR00
CR00/CR03/CR04/CR05/CR06/CR07/CR08/CR09

04523OR00
OR00/OR03/OR04/OR05/OR06/OR07/OR08/OR09

ABBINABILE A / TO MATCH WITH

Asta saliscendi / Sliding rail - **871** pag. 920
Set doccia / Set duplex - **831** pag. 920

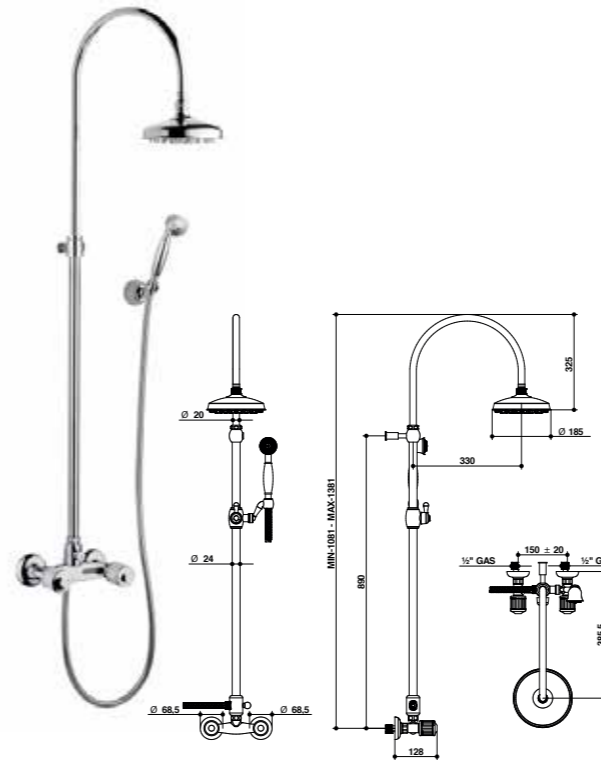
RICAMBI / SPARE PARTS

	9792 Calda / Hot		9792 Fredda / Cold
--	----------------------------	--	------------------------------

04537/D

Gruppo doccia esterno con tubo, soffione e set doccia duplex.

External shower mixer with tube, shower head and duplex shower set.



ARTICOLO COMPLETO / COMPLETE ITEM

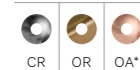
04537CR00D
CR00/CR03/CR04/CR05/CR06/CR07/CR08/CR09

04537OR00D
OR00/OR03/OR04/OR05/OR06/OR07/OR08/OR09

RICAMBI / SPARE PARTS

	9792 Calda / Hot		9792 Fredda / Cold
	00860CR		09600CR
	00851CR00		121CRCL

FINITURE E COLORI / FINISHES AND COLOURS



MANIGLIE IN CRISTALLO / CRYSTAL HANDLES



* Disponibile su richiesta / Available on demand

ACCESSORI E RICAMBI / ACCESSORIES AND SPARE PARTS

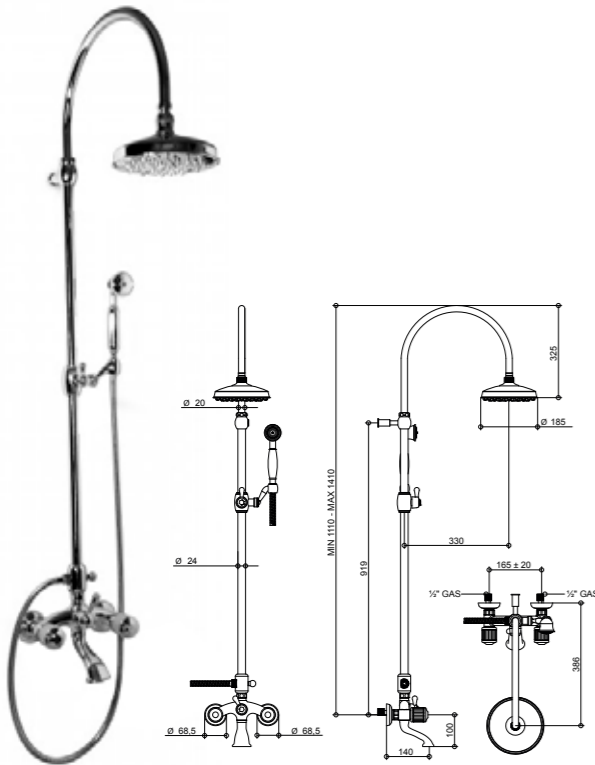
Abbinabile agli accessori Fleur pag. 490 / Match to Fleur accessories p. 490



04536/D

Gruppo vasca/doccia esterno con tubo, soffione, e set doccia duplex.

External bath/shower mixer with tube, shower head and duplex shower set.

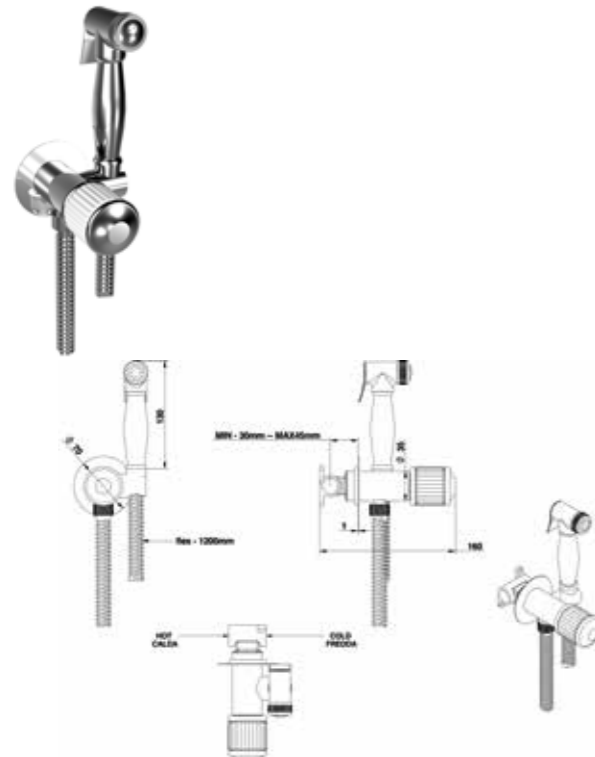
**ARTICOLO COMPLETO / COMPLETE ITEM****04536CR00D**
CR00/CR03/CR04/CR05/CR06/CR07/CR08/CR09**04536OR00D**
OR00/OR03/OR04/OR05/OR06/OR07/OR08/OR09**RICAMBI / SPARE PARTS**

9792 Calda / Hot	9792 Fredda / Cold
00860CR00	09600CR
00851CR00	121CRCL
00117CRDV	

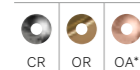
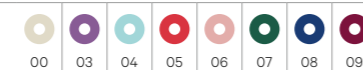
04916

Set doccia bidet per wc ad incasso con miscelatore progressivo e doccetta.

Shattaff shower set for wc with progressive mixer and hand shower.

**ARTICOLO COMPLETO / COMPLETE ITEM****04916CR00**
CR00/CR03/CR04/CR05/CR06/CR07/CR08/CR09**04916OR00**
OR00/OR03/OR04/OR05/OR06/OR07/OR08/OR09**RICAMBI / SPARE PARTS**

9820	09610CR
00902CRDO	

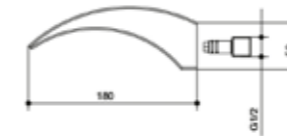
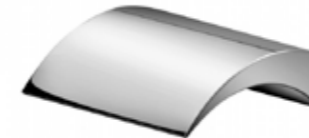
FINITURE E COLORI / FINISHES AND COLOURS**MANIGLIE IN CRISTALLO / CRYSTAL HANDLES**

* Disponibile su richiesta / Available on demand

15891

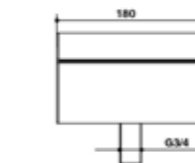
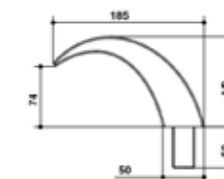
Bocca incasso classica a cascata.

Built-in classical waterfall spout.

**ARTICOLO COMPLETO / COMPLETE ITEM****15891CR00** CR**15891OR00** OR**15892**

Bocca a cascata classica bordo vasca.

Classical deck bath spout.

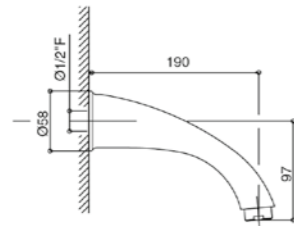
**ARTICOLO COMPLETO / COMPLETE ITEM****15892CR00** CR**15892OR00** OR**ACCESSORI E RICAMBI / ACCESSORIES AND SPARE PARTS**

Abbinabile agli accessori Fleur pag. 490 / Match to Fleur accessories p. 490



988

Bocca fusa incasso 1/2 F 190 mm. Built-in spout, 1/2 F, 190 mms.



ARTICOLO COMPLETO / COMPLETE ITEM

00988CR00 CR

00988OR00 OR

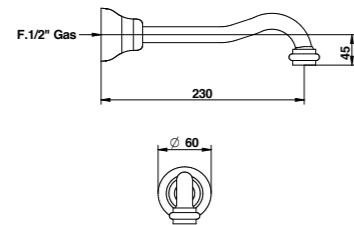
RICAMBI / SPARE PARTS



09998CR

01004/23

Bocca per incasso 230 mm. 230 mms. built-in spout.



ARTICOLO COMPLETO / COMPLETE ITEM

01004CR23 CR

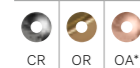
01004OR23 OR

RICAMBI / SPARE PARTS



09987CR

FINITURE E COLORI / FINISHES AND COLOURS



MANIGLIE IN CRISTALLO / CRYSTAL HANDLES



* Disponibile su richiesta / Available on demand



Art. 04501OR00

ACCESSORI E RICAMBI / ACCESSORIES AND SPARE PARTS

Abbinabile agli accessori Fleur pag. 490 / Match to Fleur accessories p. 490

PROLUNGA
MIXER EXTENSIONCARTUCCIA E VITONE
CARTRIDGE AND MECHANISMSOFFIONE
SHOWER HEADFLESSIBILE
FLEXIBLEDOCCETTA
HANDSHOWERDEVIATORE
DIVERTER